

# RMS-LOG-L-D



## BENEFITS

- 44,000 data point memory
- Visual and audible alarms
- Autonomous operation on failure
- Redundant power supply
- Conforms to FDA CFR 21 Part 11 / GAMP 5

## APPLICATIONS

- Critical points
- Pharma monitoring
- Incubators

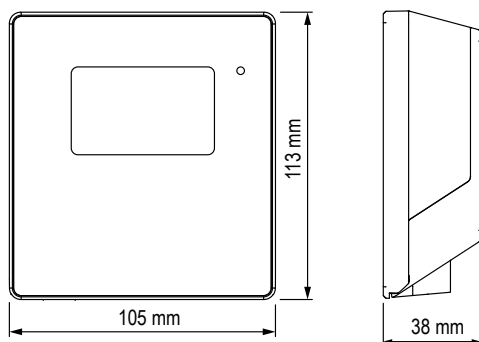
## TECHNICAL INFORMATION

The RMS-LOG-L-D stores up to 44,000 pairs of measured values from the interchangeable CO<sub>2</sub>, differential pressure, humidity, temperature or low dew point probe, and transmits them to the RMS database via LAN link. Thanks to its autonomous operation, the logger can display current readings as well as visual and audible alarms even if the power supply and communication should fail temporarily.

### Compatible with:

- RMS-WEB RMS Server Software
- RMS-CLD RMS Cloud
- Autonomous operation and audible alarms from V2.1

### Dimensions



Conformity with standards	
Soldering material	Lead free / RoHS conformity
FDA/GAMP directives	FDA CFR21 Part 11 / GAMP 5

General specifications	
Measurement interval	10 s to 300 s
Startup time	< 10 s
Software compatibility	≥ V1.3.0, from V2.1 all functions
Application range	-20...70 °C, non-condensing
Storage conditions	-20...30 °C, non-condensing
Maximum altitude	2000 m ASL
Power supply	24 VDC ±10% / Battery: RMS-BAT (2xAA, LiSocL2)
Current consumption max.	50 mA
AC adapter requirements	24 VDC ±10%, 4 W minimum, > 5 W Limited Power Source
PoE	802.3af-2003, Class 1
Device data	
Order code	RMS-LOG-L-D
Ethernet cable requirement	Min. Cat 5, SFTP, max. 30 m
Interface	Ethernet
Protocols	HTTP / Modbus TCP
Number of measuring points	2
Battery life	@60 s and 600 s interval HCD-S / HCD-IC: 7 d CCD-S-XXX: 2.4 d PCD-S-XXX: 15 d
Storage capacity	44,000 data points
Housing / Mechanics	
Enclosure material	PC, ABS
Dimensions	105 x 113 x 38 mm
IP protection class	IP65
Fire protection class	UL94-V2
Weight	240 g

Subject to technical change without notice. Printing and other errors reserved.

59093E/2020-01